

Hakki Pilke Eagle

CIRCULAR SAW

- ASSEMBLY INSTRUCTIONS
- OPERATING INSTRUCTIONS
- SAFETY INSTRUCTIONS
- SERVICE INSTRUCTIONS
- SPARE PART LIST
- WARRANTY TERMS
- EC DECLARATION
OF CONFORMITY



MAASELÄN KONE OY

Valimotie 1, 85800 Haapajärvi, Finland
Tel. +358 8 7727300, Fax +358 87727320

info@maaselankone.fi

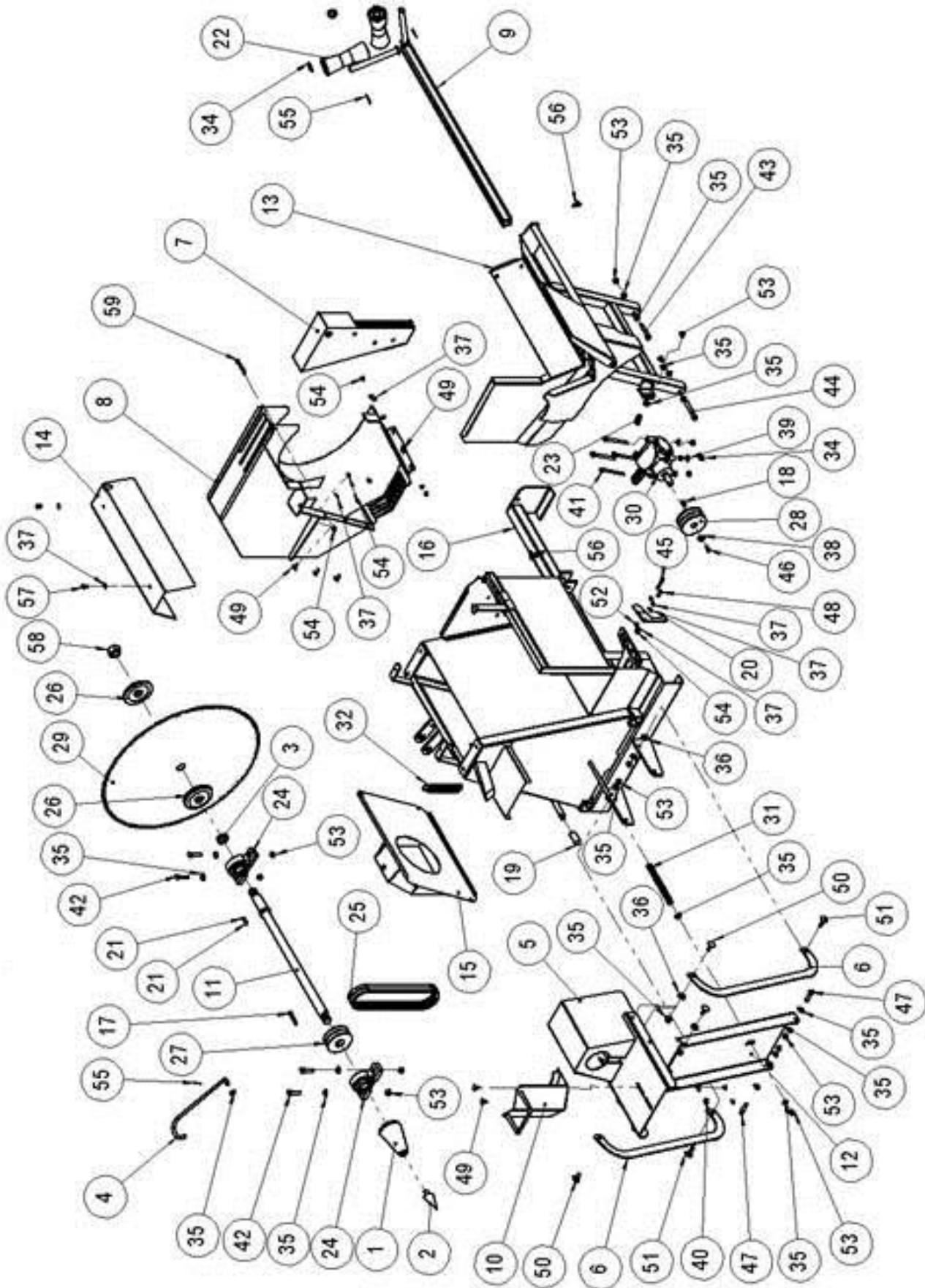
www.maaselankone.fi

**These instructions must be read before
operating the machine!**

TABLE OF CONTENTS

Tractor-driven Circular Saw – Exploded View..... 3
Tractor-driven Circular Saw – Part List 4
Emergency Stop Device..... 6
Emergency Stop Device – Spare Part List 6
Electrically Driven Circular Saw – Exploded View 7
Electrically Driven Circular Saw – Spare Part List..... 8
Transfer Wheels – Exploded View 10
Spare Part List / Installing the Wheels on the Circular Saw 10

Tractor-driven Circular Saw – Exploded View

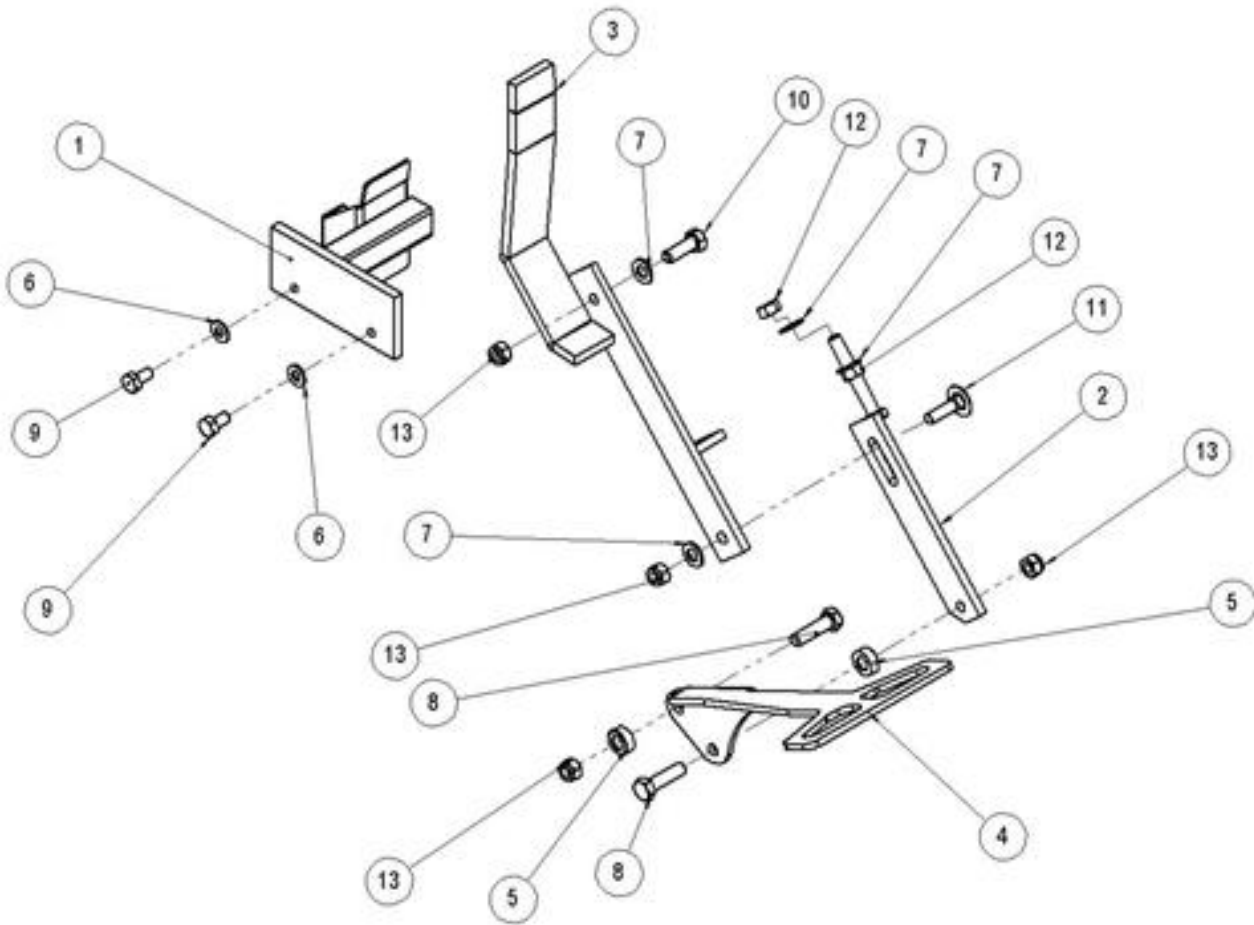


Tractor-driven Circular Saw – Part List

Part	No.	Item	Pcs
1	06032	Cone	1
2	06033	Screw tip	1
3	06035	Shaft retainer	1
4	06057	PTO shaft hook	1
5	06099	Splitting cone cover	1
6	06101	Stabiliser	2
7	06106	Rocking cover	1
8	06108	Saw blade cover	1
9	06114	Table extension rollers, frame	1
10	06137	Splitting table	1
11	06152	Shaft	1
12	06238	Vertical plate	1
13	06240	Cross-cut table	1
14	06253	Shaft cover	1
15	06259	PTO shaft cover	1
16	06270	Circular saw frame, TR	1
17	06330	Key 7x8x65	1
18	06331	Key 6x6x28	1
19	08055b	Pull pin sleeve	2
20	08269	Emergency stop latch	1
21	37077	Key 7x8x15	1
22	95001	Keel roller	2
23	95015	Compression spring 2.5x20x38	1
24	95058	Bearing unit UCP207	2
25	95091	V-belt	2
26	95106	Saw blade support flange	2
27	95116	Pulley	1
28	95117	Pulley	1
29	95141	Tungsten-tipped blade	1
30	95170	Angular gear	1
31	95482	Compression spring 2.5x22x210	1
32	96025	Draw-spring 3.5x30x190	1
33	96049	Washer DIN 125 A10	4

34	96053	Washer DIN 125 A20	2
35	96058	Washer DIN 125 A12	22
36	96059	Washer DIN 125 A16	6
37	96061	Washer DIN 125 A8	11
38	96064	Fender washer DIN 9021 M10	1
39	96068	Locking nut DIN 985 M10	4
40	96082	Fender washer DIN 9021 M8	2
41	96094	Hexagonal screw DIN 931 M10x120	4
42	96108	Hexagonal screw DIN 931 M12x50	4
43	96110	Hexagonal screw DIN 931 M12x70	1
44	96111	Hexagonal screw DIN 931 M12x90	1
45	96124	Hexagonal screw DIN 931 M8x50	1
46	96130	Hexagonal screw DIN 933 10.9M8x20	1
47	96149	Hexagonal screw DIN 933 M12x45	2
48	96164	Hexagonal screw DIN 933 M8x25	1
49	96187	Locking screw DIN 603 M8x20	8
50	96188	Locking screw DIN 603 M12x30	4
51	96189	Locking screw DIN 603 M12x40	2
52	96196	Hexagonal nut DIN 934 M8	2
53	96218	Locking nut DIN 985 M12	16
54	96222	Locking nut DIN 985 M8	10
55	96246	Split pin DIN 94 3.2x32	3
56	96254	Wing screw DIN 316 M8x12	2
57	96315	Hexagonal screw DIN 933 M8x16	2
58	96330	Hexagonal nut DIN 934 M30	1
59	96349	Hexagonal screw DIN 931 M8x120	1

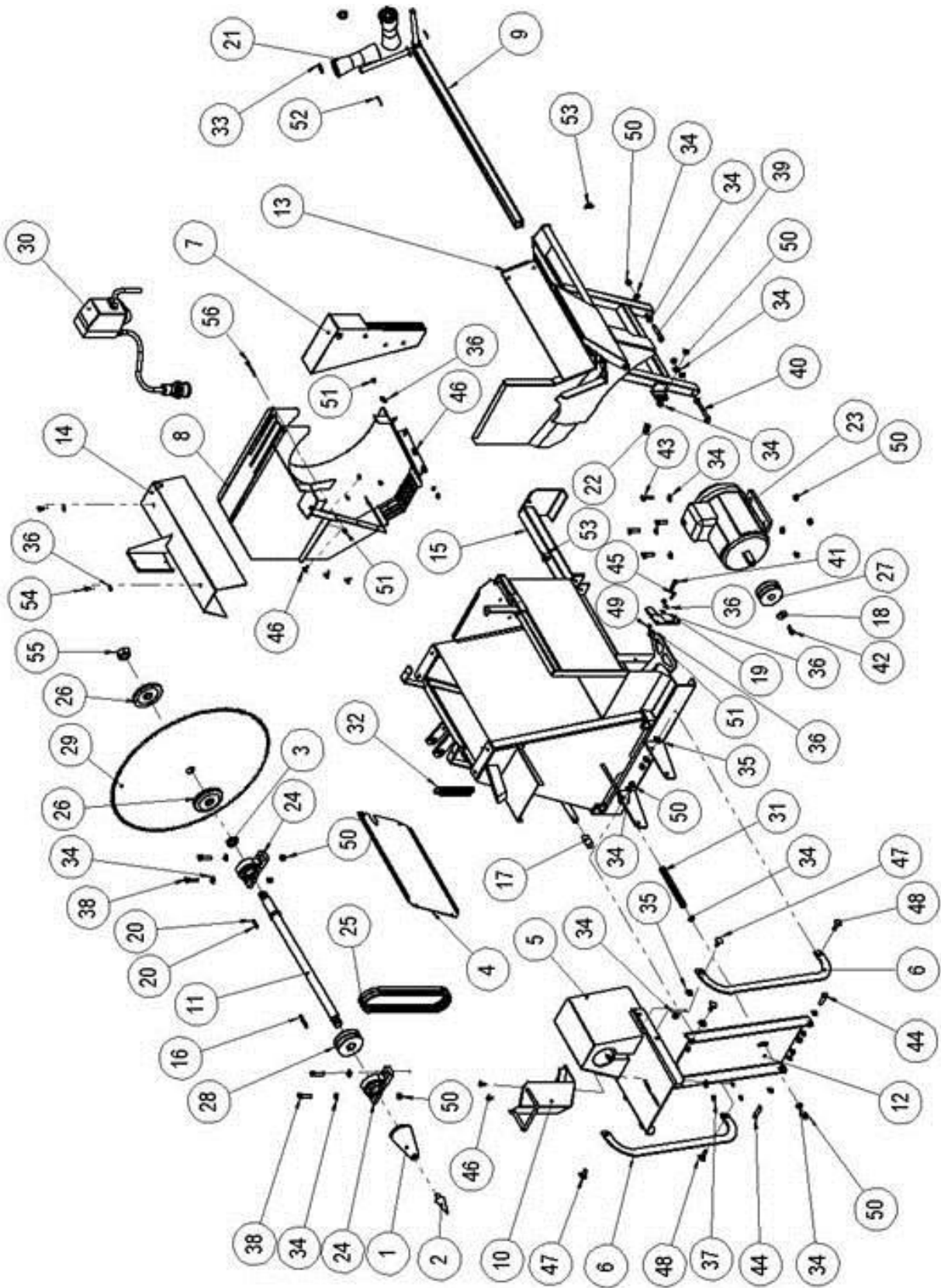
Emergency Stop Device



Emergency Stop Device – Spare Part List

Part	No.	Item	Pcs
1	06121	Brake stop block, TR circular saw	1
2	06123	Intermediate bar, emergency stop, TR circular saw	1
3	06276	Brake pad lever	1
4	06341	Emergency stop pedal	1
5	08194	Brake spacer sleeves	2
6	96049	Washer DIN 125 A10	2
7	96058	Washer DIN 125 A12	4
8	96107	Hexagonal screw DIN 931 M12x45	2
9	96138	Hexagonal screw DIN 933 M10x20	2
10	96147	Hexagonal screw DIN 933 M12x35	1
11	96189	Locking screw DIN 603 M12x40	1
12	96200	Hexagonal nut DIN 934 M12	2
13	96218	Locking nut DIN 985 M12	4

Electrically Driven Circular Saw – Exploded View

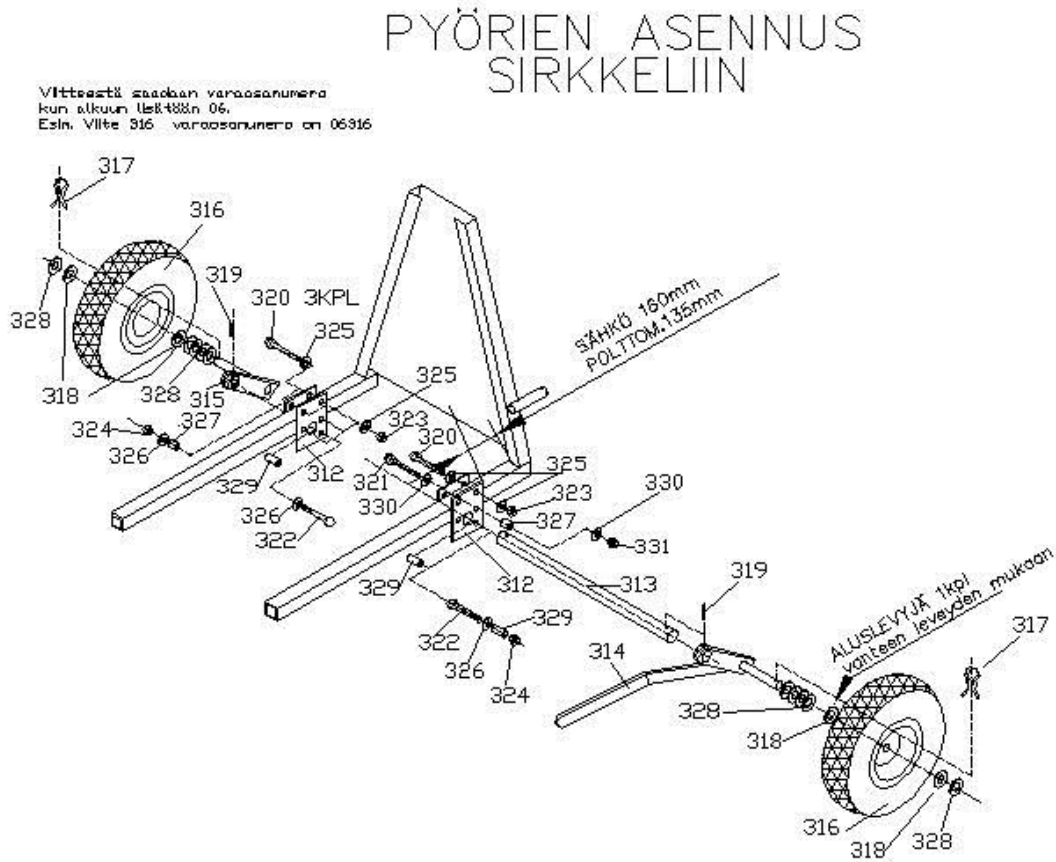


Electrically Driven Circular Saw – Spare Part List

Part	No.	Item	Pcs
1	06032	Cone	1
2	06033	Screw tip	1
3	06035	Shaft retainer	1
4	06070	Rear cover, electrically driven circular saw	1
5	06099	Splitting cone cover	1
6	06101	Stabiliser	2
7	06106	Rocking cover	1
8	06108	Saw blade cover	1
9	06114	Table extension rollers, frame	1
10	06137	Splitting table	1
11	06152	Shaft	1
12	06238	Vertical plate	1
13	06240	Cross-cut table	1
14	06278	Shaft cover, electrically driven model	1
15	06280	Circular saw frame, electrically driven model	1
16	06330	Key 7x8x65	1
17	08055b	Pull pin sleeve	2
18	08099a	Washer	1
19	08269	Emergency stop latch	1
20	37077	Key 7x8x15	1
21	95001	Keel roller	2
22	95015	Compression spring 2.5x20x38	1
23	95036	Electric motor 4 kW	1
24	95058	Bearing unit UCP207	2
25	95091	V-belt	2
26	95106	Saw blade support flange	2
27	95115	V-belt pulley	1
28	95116	Pulley	1
29	95141	Tungsten-tipped blade	1
30	95370	Start box 4 kW	1
31	95482	Compression spring 2.5x22x210	1
32	96025	Draw-spring 3.5x30x190	1

33	96053	Washer DIN 125 A20	2
34	96058	Washer DIN 125 A12	26
35	96059	Washer DIN 125 A16	6
36	96061	Washer DIN 125 A8	8
37	96082	Fender washer DIN 9021 M8	2
38	96108	Hexagonal screw DIN 931 M12x50	4
39	96110	Hexagonal screw DIN 931 M12x70	1
40	96111	Hexagonal screw DIN 931 M12x90	1
41	96124	Hexagonal screw DIN 931 M8x50	1
42	96139	Hexagonal screw DIN 933 M10x40	1
43	96148	Hexagonal screw DIN 933 M12x40	4
44	96149	Hexagonal screw DIN 933 M12x45	2
45	96164	Hexagonal screw DIN 933 M8x25	1
46	96187	Locking screw DIN 603 M8x20	8
47	96188	Locking screw DIN 603 M12x30	5
48	96189	Locking screw DIN 603 M12x40	2
49	96196	Hexagonal nut DIN 934 M8	2
50	96218	Locking nut DIN 985 M12	20
51	96222	Locking nut DIN 985 M8	10
52	96246	Split pin DIN 94 3.2x32	2
53	96254	Wing screw DIN 316 M8x12	2
54	96315	Hexagonal screw DIN 933 M8x16	2
55	96330	Hexagonal nut DIN 934 M30	1
56	96349	Hexagonal screw DIN 931 M8x120	1

Transfer Wheels – Exploded View



Spare Part List / Installing the Wheels on the Circular Saw

No.	Item	Pcs	No.	Item	Pcs
	Installing the Wheels on the Circular Saw		06321	Bolt M10x110	1
			06322	Bolt M12x110	2
06312	Mounting plate	4	06323	Nut M8 nyloc	7
06313	Shaft	1	06324	Nut M12 nyloc	2
06314	Lever + shaft bracket	1	06325	Washer M8	14
06315	Shaft bracket	1	06326	Washer M12	4
06316	Wheel	2	06327	Pipe inner ϕ 12-35	3
06317	Split pin	2	06328	Washer ϕ 21/37	16
06318	Washer ϕ 25/43	4	06329	Pipe inner ϕ 12-50	2
06319	Roll pin ϕ 8x40	2	06330	Washer M10	2
06320	Bolt M8x70	7	06331	Nut M10 nyloc	1