

# Hakki Pilke

## XL-conveyor



## SPARE PARTS LIST

*TP SILVA OY*

Valimotie 1, 85800 Haapajärvi, Finland

tel.+358 8-772 7300

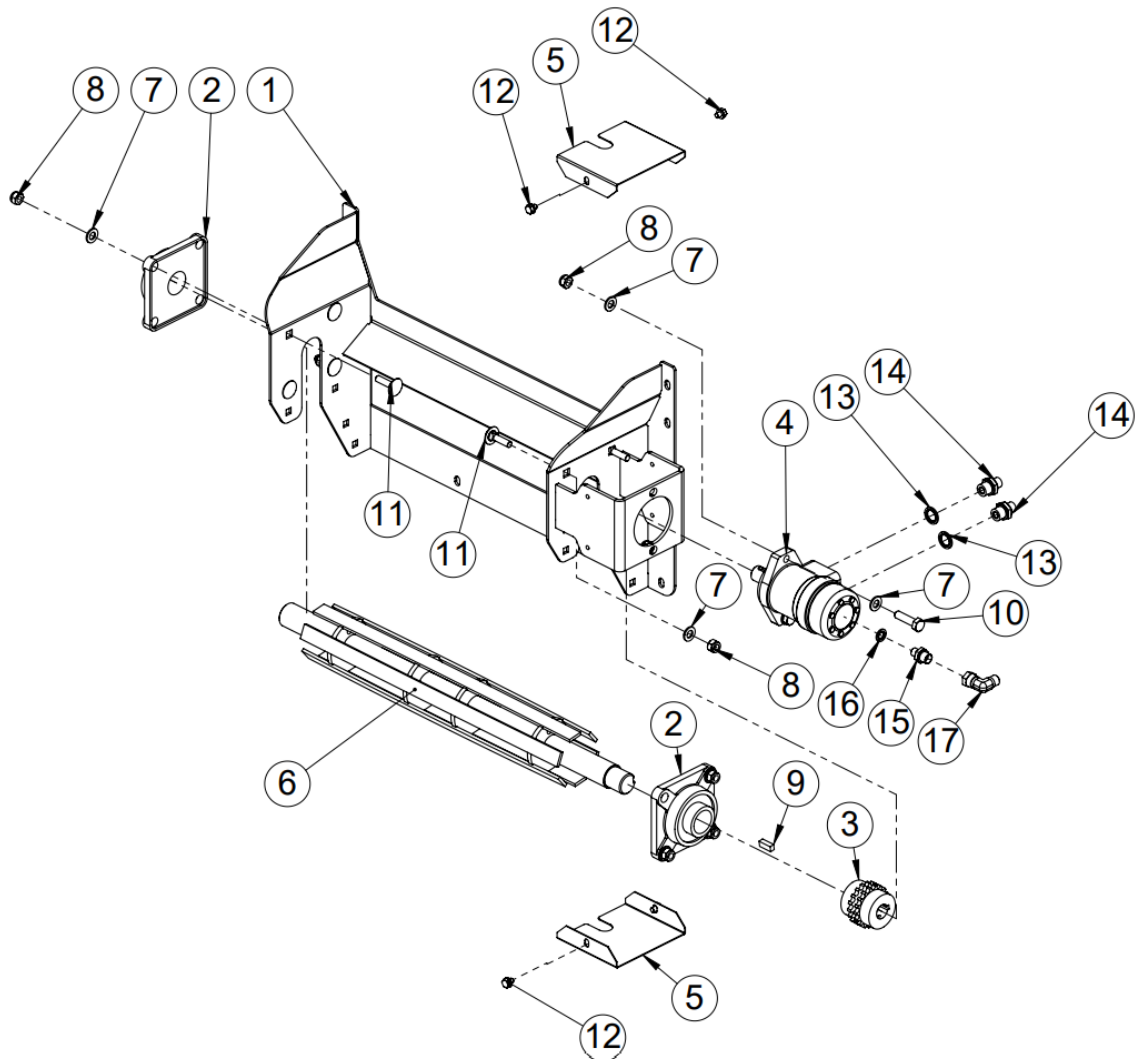
[info@hakkipilke.fi](mailto:info@hakkipilke.fi)

[www.hakkipilke.fi](http://www.hakkipilke.fi)

## Content

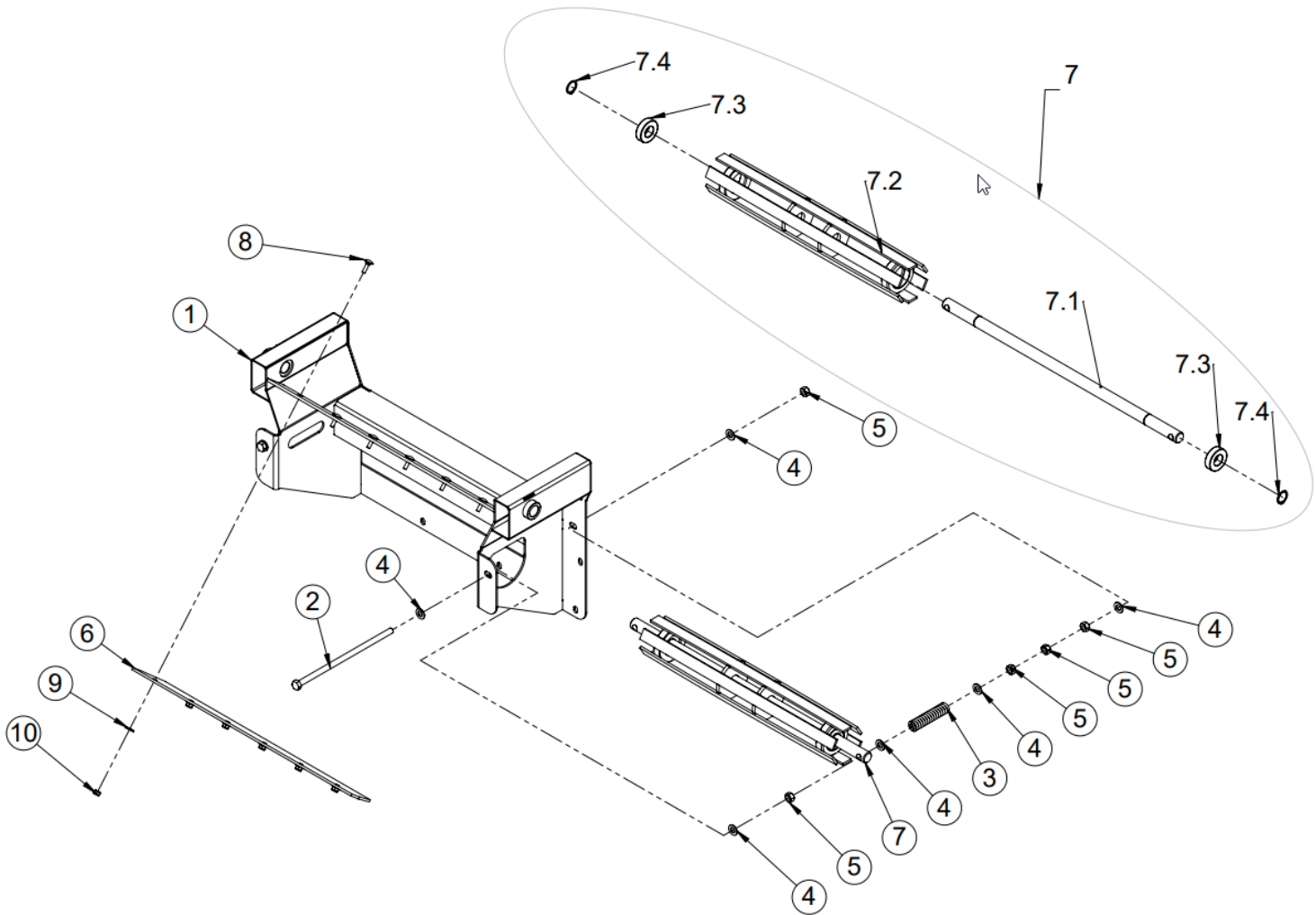
1.1	Drive unit (50038092) .....	3
1.2	Top roller assembly .....	4
1.3	Axles collectively .....	5
1.4	Support stand .....	6
1.5	Elevating gear .....	7
1.6	Tubing and hoses.....	8
1.7	Conveyor parts .....	9
1.8	Conveyor belt .....	10
1.9	Tap.....	11
1.10	Valve .....	12
1.11	Base bars and hydraulics .....	13
1.12	Base bars and hydraulics, part list.....	14
1.13	Drive Wheel fastener .....	15
1.14	Debris removal .....	16

## 1.1 Drive unit (50038092)



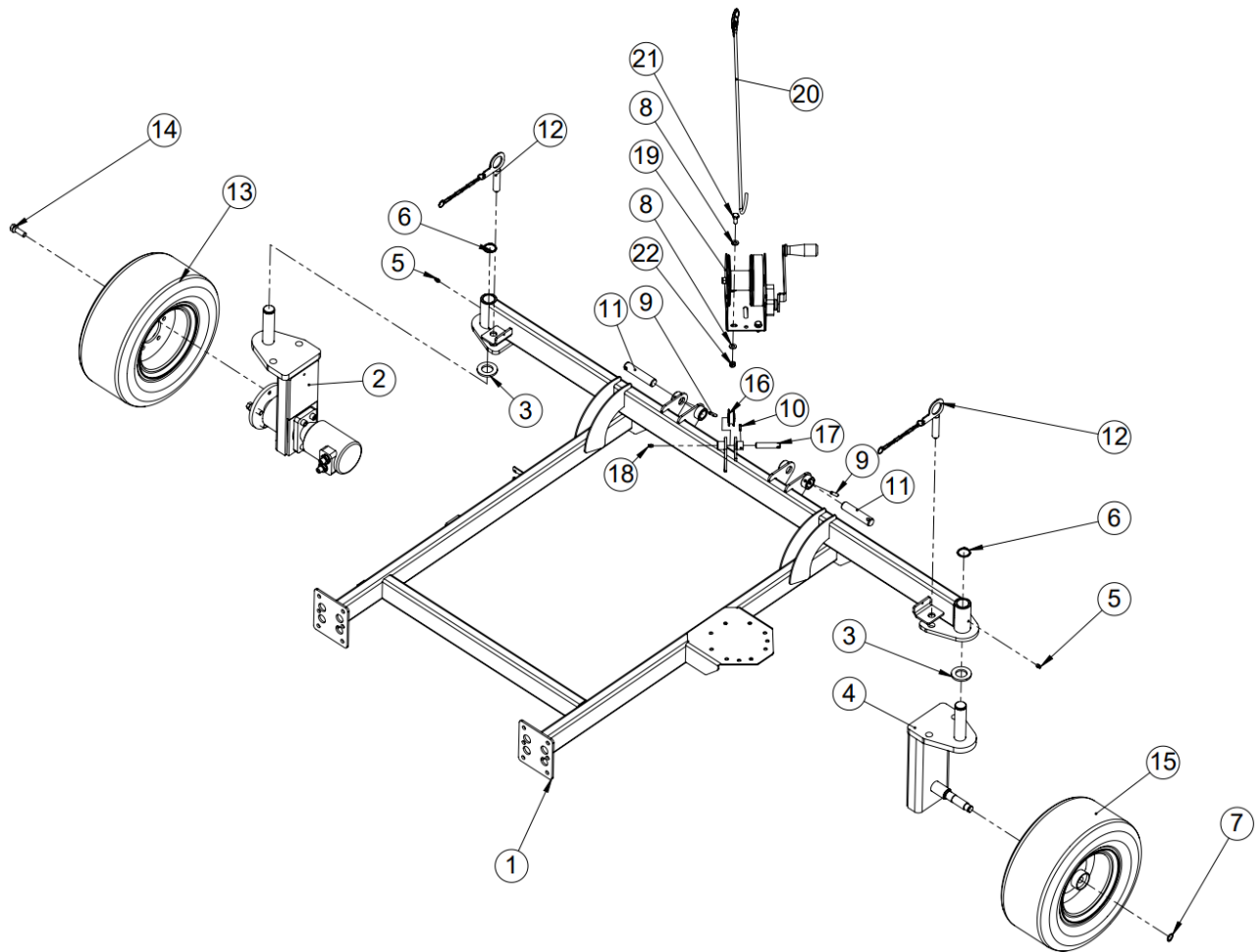
No.	Part number	Item	Pcs.
1	50038087	Bracket for drive unit	1
2	95727	Bearing unit	2
3	95448	Chain clutch set for conveyor	1
4	97334	Hydraulic motor	1
5	50033178	Switch protection plate	2
6	50038507	Drive roller	1
7	96058	Washer A12	12
8	96218	Lock nut M12	10
9	47642	Wedge	1
10	96107	Hex screw M12x45	2
11	96189	Locking screw M12x40	8
12	96552	Flange bolt M8x8	4
13	97213	Usit 1/2"	2
14	97203	Double nipple 3/8" x 1/2"	2
15	97201	Double nipple 1/4" x 3/8"	1
16	97211	Usit 1/4"	1
17	97240	Corner nipple 3/8" uk x 3/8" sk	1

## 1.2 Top roller assembly



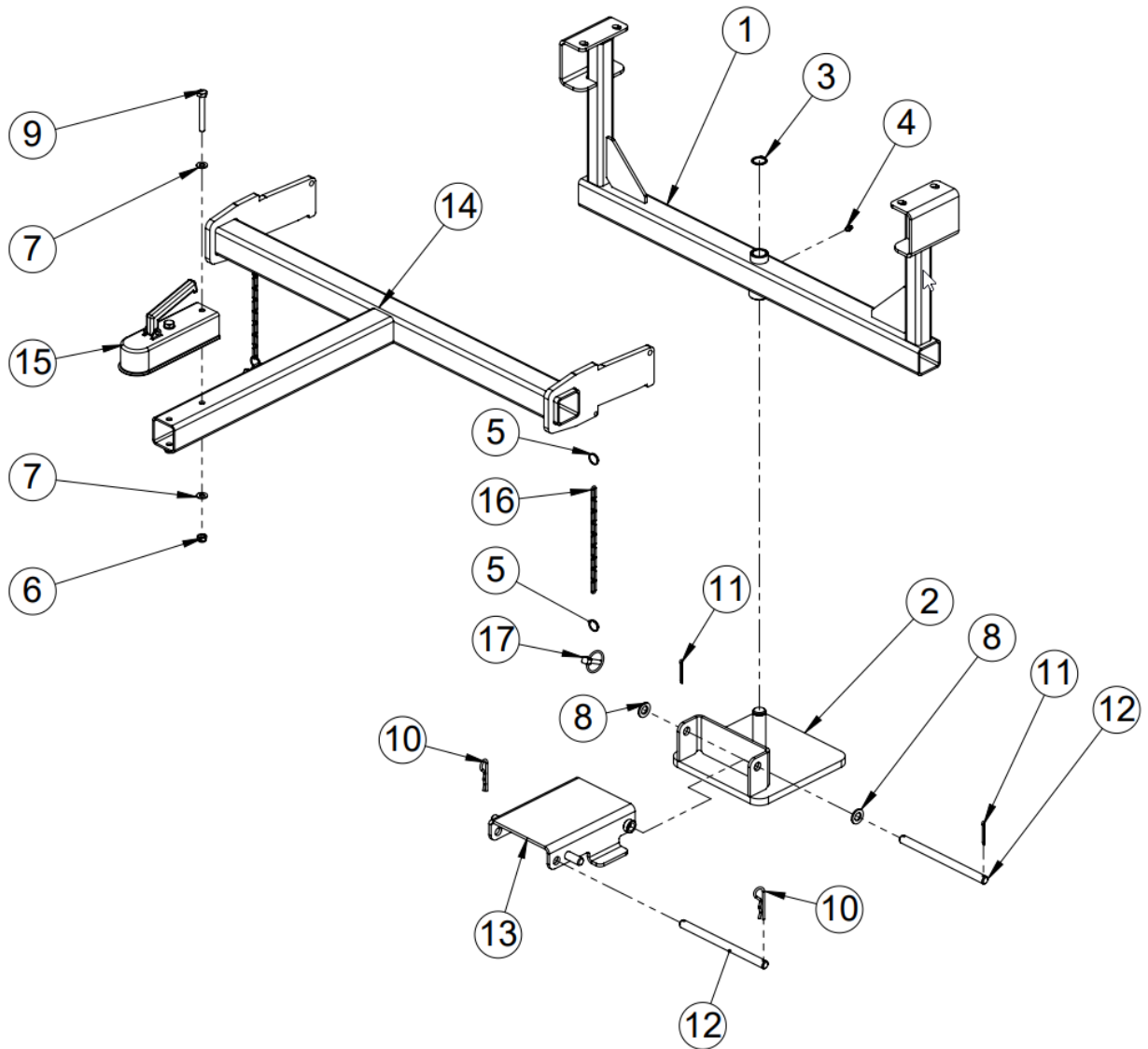
No.	Part number	Item	Pcs.
1	50038115	Bracket for top roller	1
2	96355	Hex screw M12x280	2
3	95722	Pressure spring	2
4	96058	Washer A12	12
5	96200	Hex nut M12	10
6	50038277	Rubber plate	1
7	50038540	Roller complete	1
7.1	50038539	Axle for top roller	1
7.2	50038538	Roller	1
7.3	95050	Bearing 6205	2
7.4	96042	Retaining ring 25	2
8	96191	Locking screw M8x25	6
9	96302	Washer M8	6
10	96222	Lock nut M8	6
11	96276	Lubrication nipple M8X1	2

## 1.3 Axles collectively



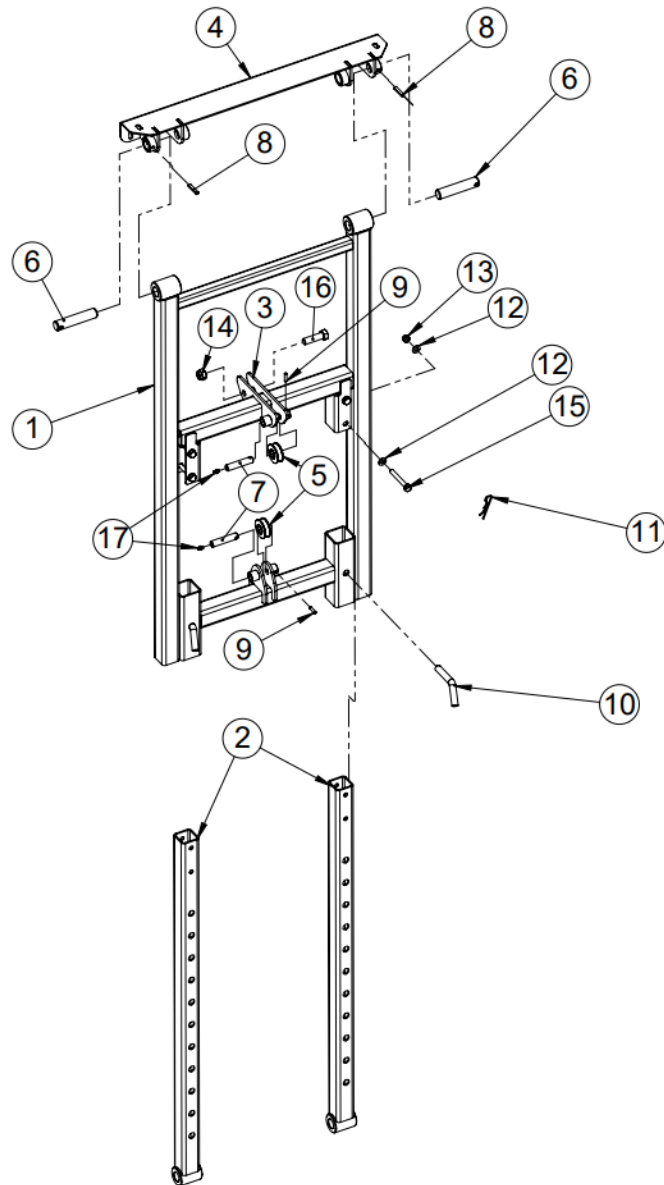
No.	Part number	Item	Pcs.
1	50038162	Frame	1
2	50051827	Drive wheel fastener	1
3	47197	Washer	2
4	50038390	Wheel fastener	1
5	96276	Lubrication nipple M8X1	2
6	96045	Retaining ring 35	2
7	96040	Retaining ring 20	1
8	96049	Washer A10	8
9	96077	Spring pin 8x40	2
10	96354	Spring pin 6x24	1
11	50035319	Pin 25	2
12	50049241	Locking pin	2
13	95688	Drive wheel	1
14	96238	Wheel bolt	5
15	95693	Wheel	1
16	50038456	Sprocket	1
17	50038621	Pin 16	1
18	96273	Lubrication nipple M6X1	1
19	50043275	Winch	1
20	50050927	Cable	1
21	96139	Hex screw M10x25	4
22	96068	Lock nut M10	4

## 1.4 Support stand



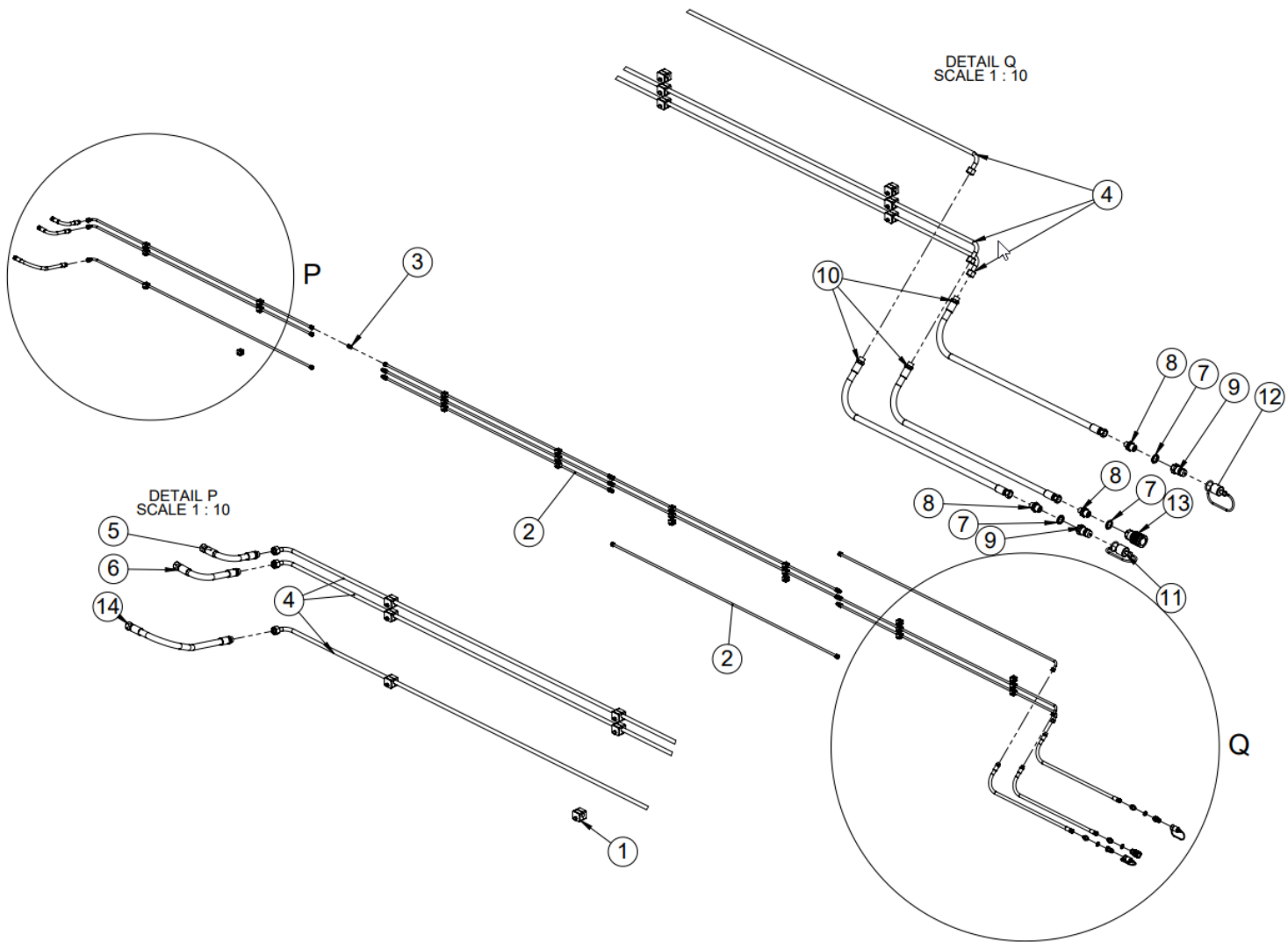
No.	Part number	Item	Pcs.
1	50038261	Frame	1
2	50038265	Stand	1
3	96042	Retaining ring 25	1
4	96273	Lubrication nipple M6X1	1
5	96422	Key ring	4
6	96068	Locking nut M10	2
7	96049	Washer A10	4
8	96059	Washer A16	2
9	96445	Hex screw M10x80	2
10	96347	Needle pin	2
11	96248	Split pin 4x40	2
12	50040918	Pin	2
13	50040920	Machine bracket	1
14	50042152	Drawbar	1
15	50038880	Ball switch	1
16	95480	Chain	2
17	96242	Ring pin	2

## 1.5 Elevating gear



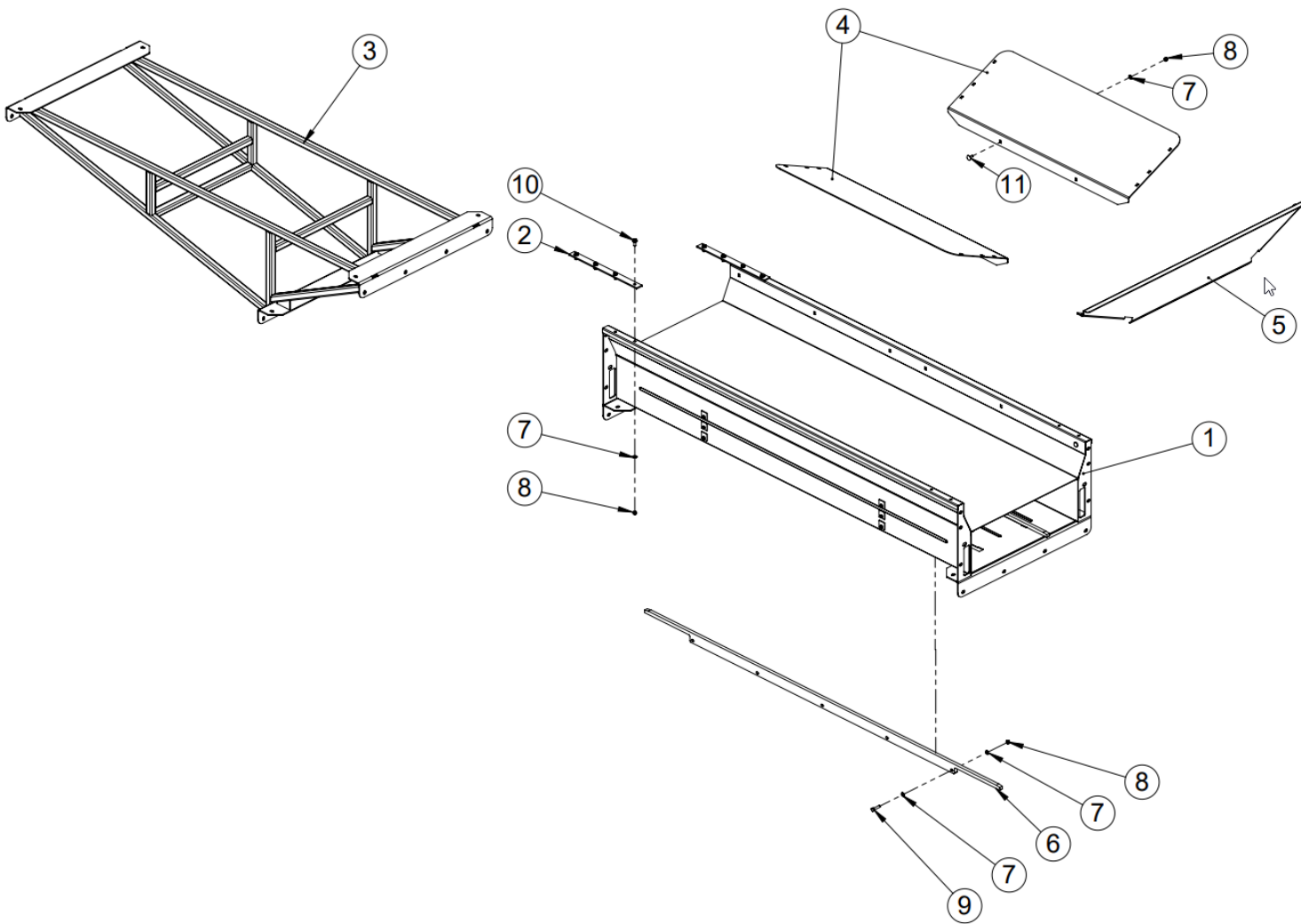
No.	Part number	Item	Pcs.
1	50038438	Lifting ring	1
2	50038434	Base tube	2
3	50038447	Interim support	1
4	50038449	Lifting bar	1
5	50038456	Sprocket	2
6	50035319	Pin 25	2
7	50038621	Pin 16	2
8	96077	Spring pin 8x40	2
9	96354	Spring pin 6x40	2
10	48033	Pin	2
11	96208	Needle pin	2
12	96049	Washer A10	8
13	96068	Locking nut M10	4
14	96219	Locking nut M16	1
15	96445	Hex screw M10x80	4
16	96117	Hex screw M16x55	1
17	96273	Lubrication nipple M6X1	2

## 1.6 Tubing and hoses



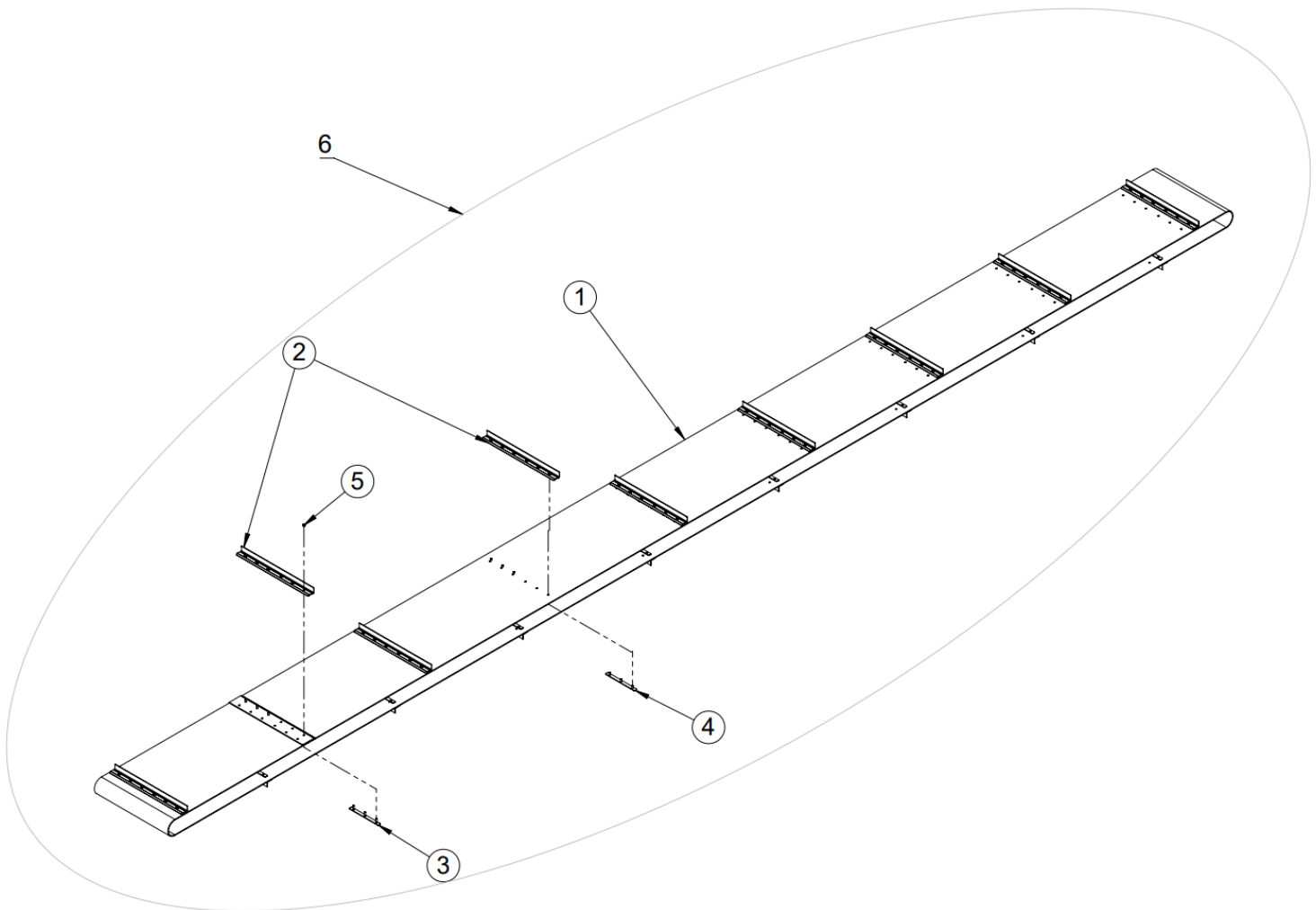
No.	Part number	Item	Pcs./4m	Pcs./6m	Pcs./8m
1	97756	Piple clamp set	8	16	24
2	50047452	Hydraulic pipe	0	3	6
3	50043904	Direct connection	3	6	9
4	50047454	Hydraulic pipe	6	6	6
5	50047466	hydraulic hose 200x3/8"	1	1	1
6	50048978	hydraulic hose 250x3/8"	1	1	1
7	97213	Usit 1/2"	3	3	3
8	97203	Double nipple 3/8" x 1/2"	3	3	3
9	97209	Quick coupler male 1/2"	2	2	2
10	50048755	Hydraulic hose 2500x3/8"	3	3	3
11	97661	Cover for quick coupler red (male)	1	1	1
12	97658	Cover for quick coupler blue (male)	1	1	1
13	97388	Quick coupling female 1/2" automatic	1	1	1
14	50048421	Hydraulic hose 400x3/8"	1	1	1

## 1.7 Conveyor parts



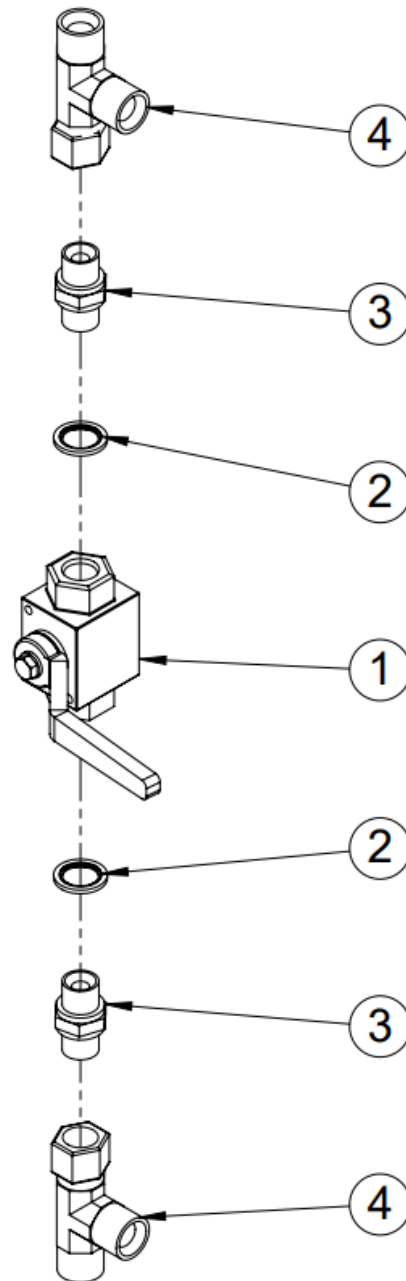
No.	Part number	Item	Pcs./4m	Pcs./6m	Pcs./8m
1	50038079	Frame of conveyor	2	3	4
2	47713	Joint plate for conveyor belt	2	4	6
3	50038636	Support frame	0	0	1
4	50040764	Guide plate	2	2	2
5	50043425	Front plate	1	1	1
6	50042110	Sliding plate	4	6	8
7	96061	Washer A8			
8	96222	Locking nut M8			
9	96166	Hex screw M8x35			
10	96173	Flange bolt M8x20			
11	96187	Locking screw M8x20			

## 1.8 Conveyor belt



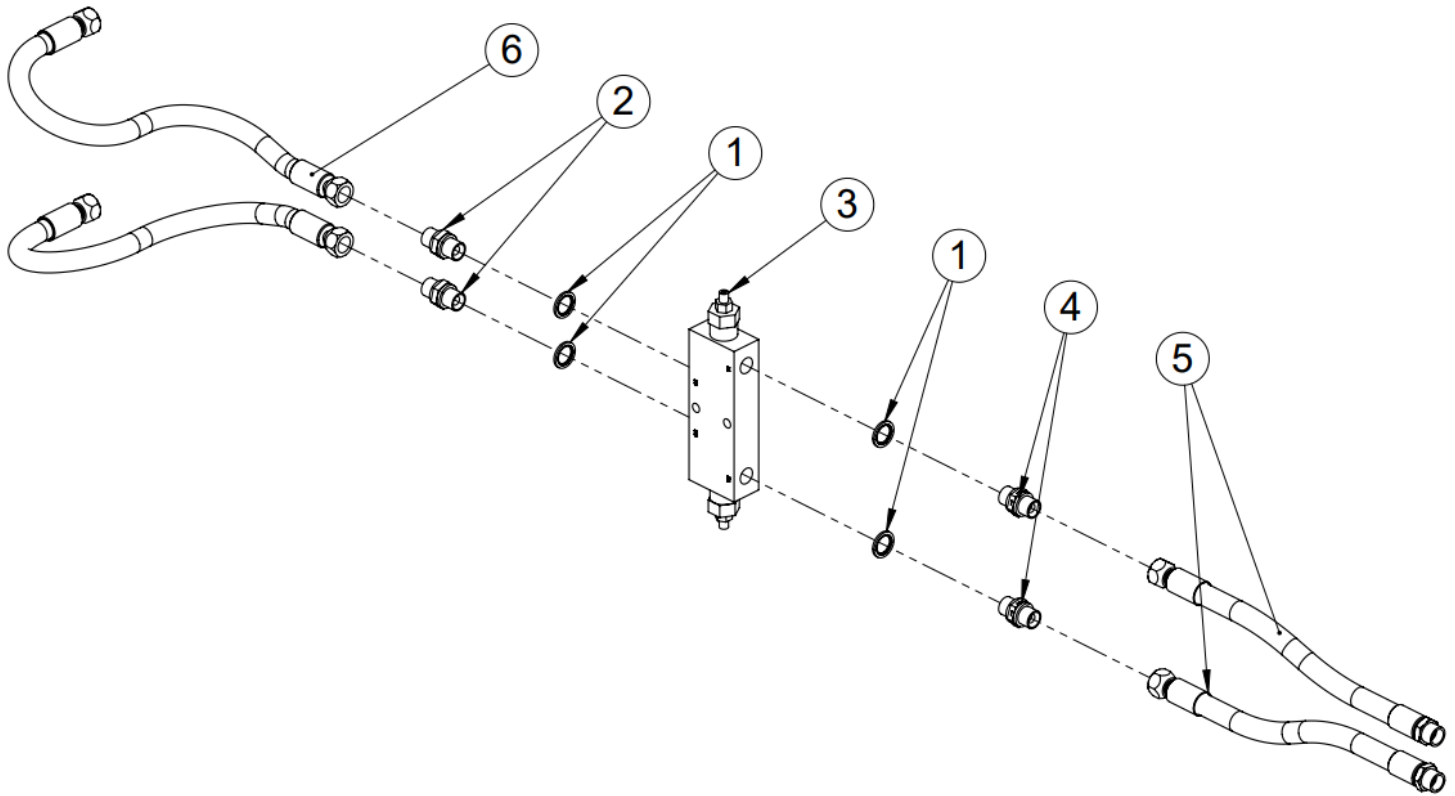
No.	Part number	Item	Pcs./4m	Pcs./6m	Pcs./8m
1	50050010	Conveyor belt 4m	1	0	0
	50038096	Conveyor belt 6m	0	1	0
	50038551	Conveyor belt 8m	0	0	1
2	50038097	Scraper of conveyor belt	9	13	17
3	10863	Scraper fastening M8x30	2	2	2
5	10851	Scraper fastening M8x20	16	24	32
4	96222	Locking nut M8	54	78	102
6	50050007	Conveyor belt (complete) 4m	1	0	0
	50038098	Conveyor belt (complete) 6m	0	1	0
	50038550	Conveyor belt (complete) 8m	0	0	1

## 1.9 Tap



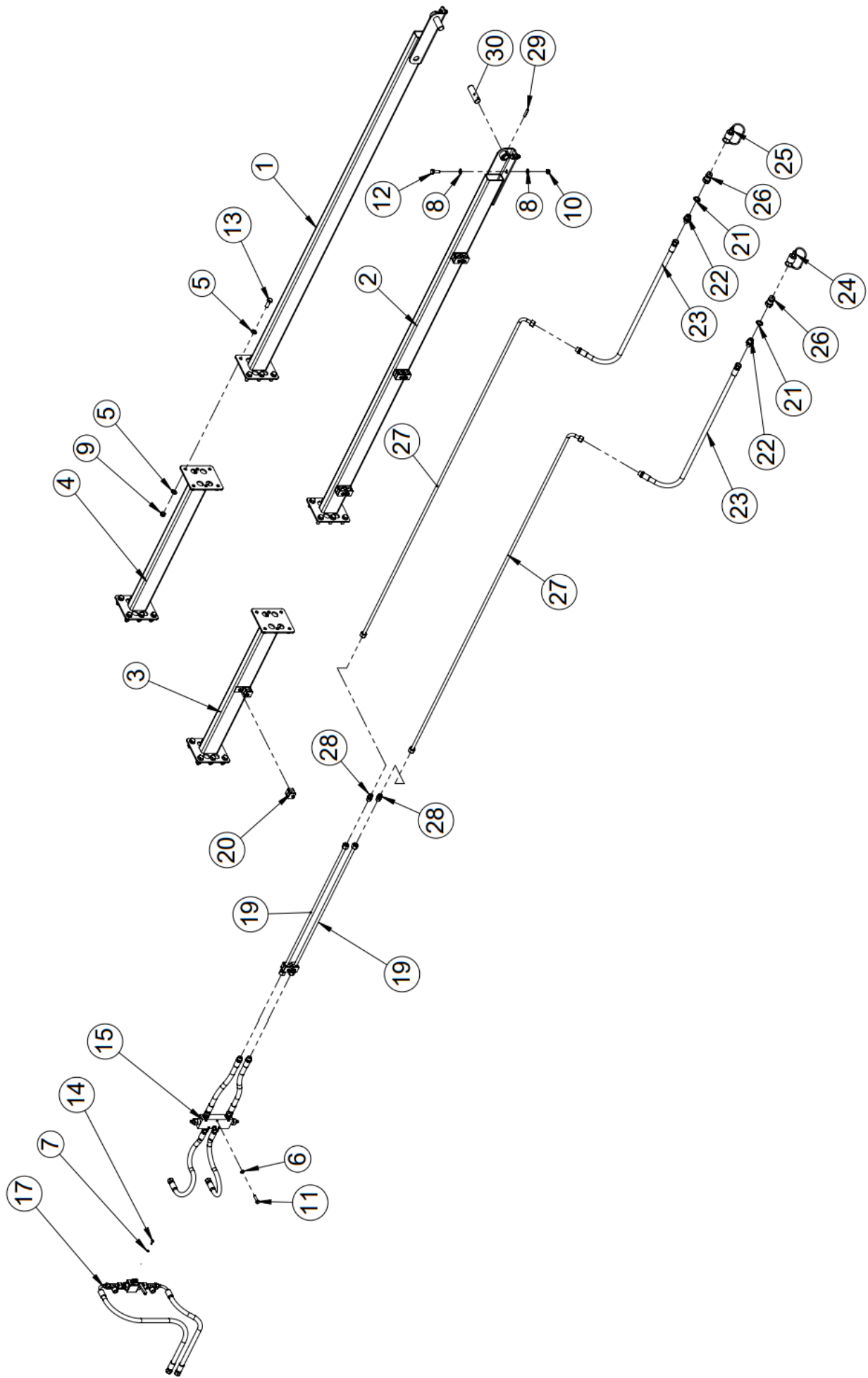
No.	Part number	Item	Pcs.
1	50000298	Petcock	1
2	97212	Usit 3/8"	2
3	97202	Double nipple 3/8" x 3/8"	2
4	97234	L-connector 3/8"	2

## 1.10 Valve



No.	Part number	Item	Pcs.
1	97212	Usit 3/8"	4
2	97202	Double nipple 3/8" x 3/8"	2
3	97758	Valve	1
4	97276	Throttle nipple 3/8" uk x 3/8" uk 1mm	2
5	50048756	Hydraulic hose 320x3/8"	2
6	97194	Hydraulic hose 430x3/8"	1
7	97194	Hydraulic hose 430x3/8"	1

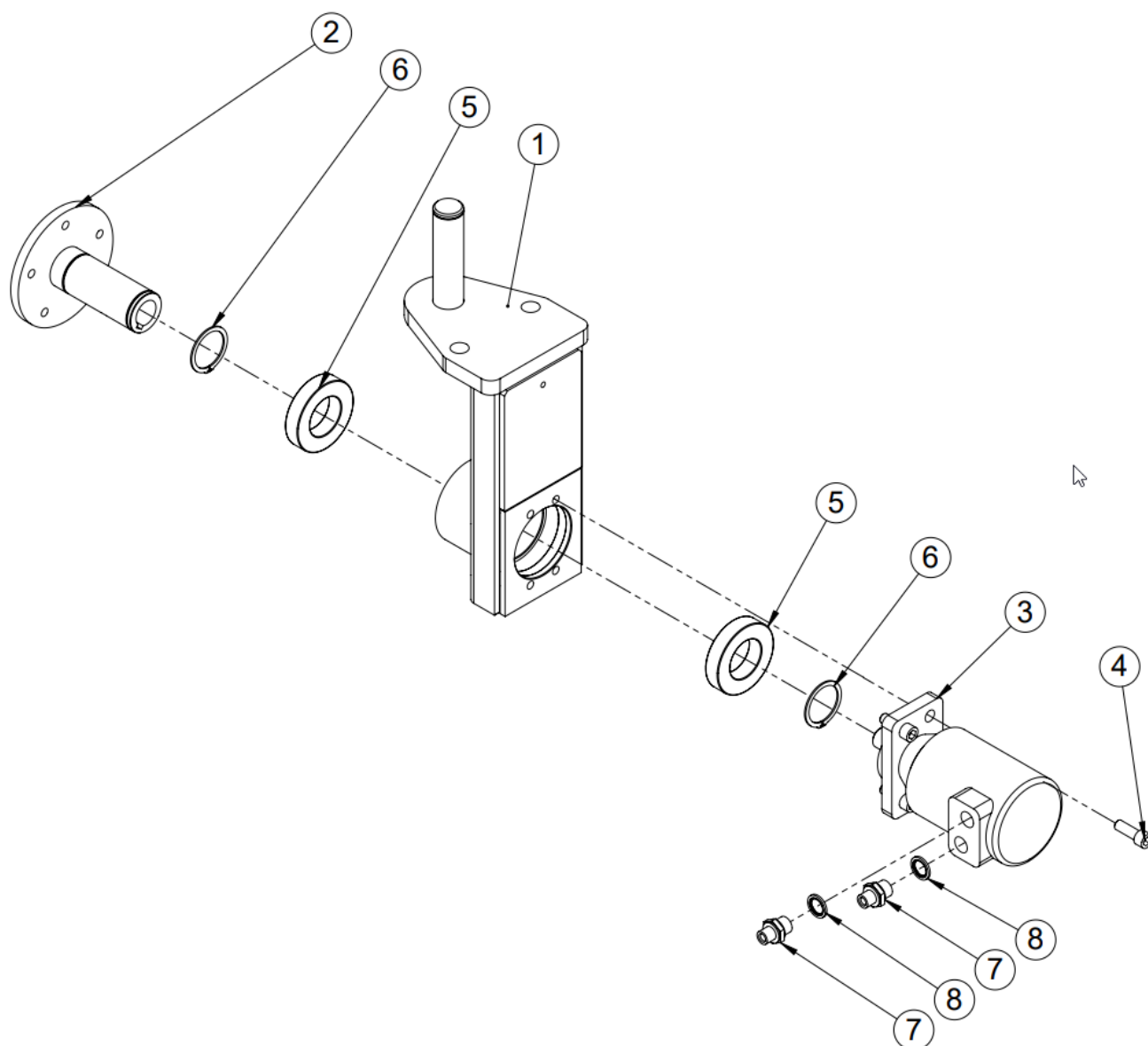
1.11 Base bars and hydraulics



**1.12 Base bars and hydraulics, part list**

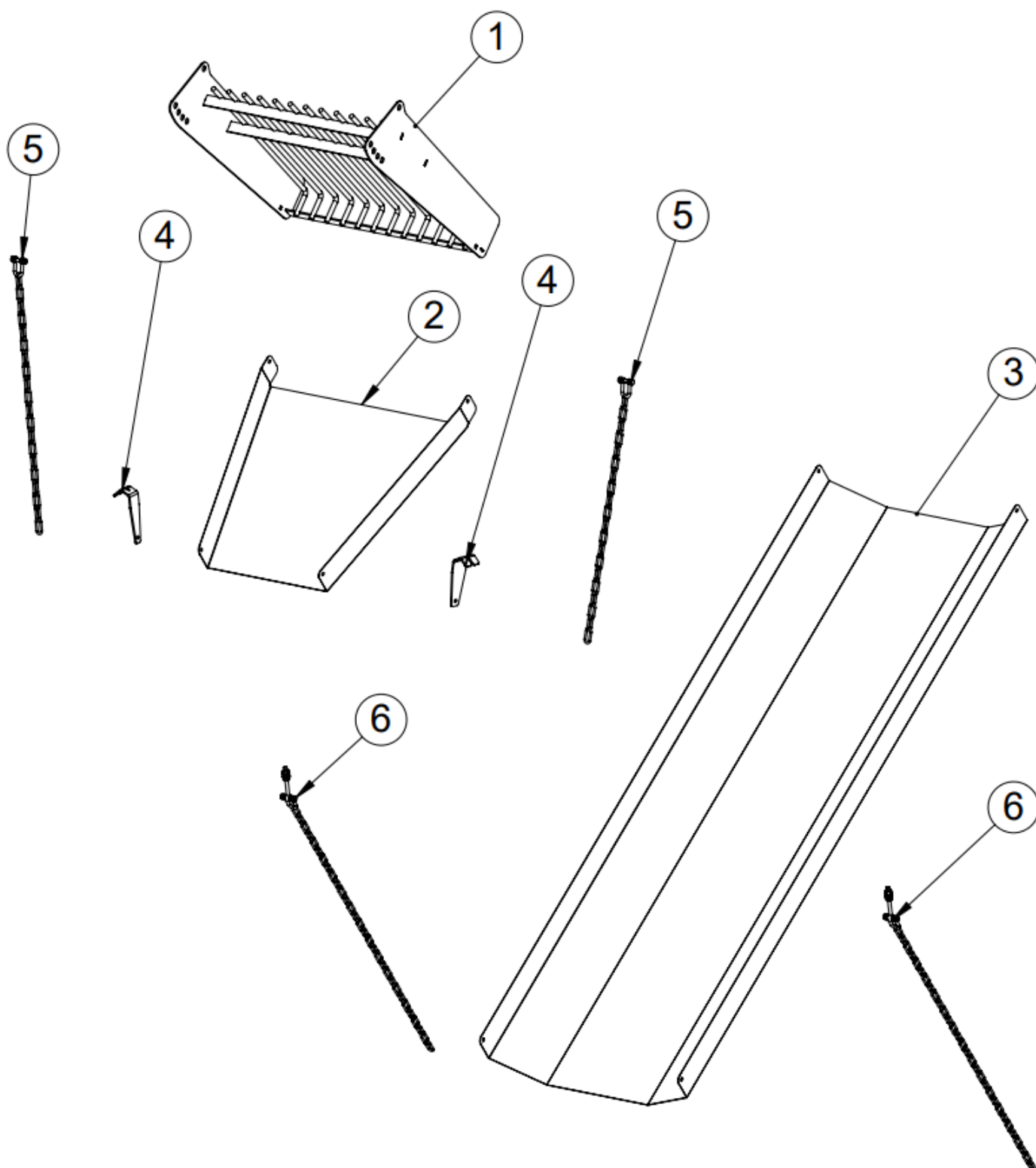
No.	Part number	Item	Pcs.
1	50038187	Sidebar right	1
2	50038190	Sidebar left	1
3	50038555	Extension bar left	1
4	50049231	Extension bar right	1
5	96058	Washer A12	48
6	96061	Washer A8	2
7	96055	Washer A5	2
8	96049	Washer A10	4
9	96218	Locking nut M12	24
10	96068	Locking nut M10	4
11	96166	Hex screw M8x35	2
12	96133	Hex screw M10x30	4
13	96147	Hex screw M12x35	24
14	96262	Groove screw M5x16	2
15	50044059	Holding valve	1
16	50044052	Tap	1
17	97131	Hydraulic hose 1200x3/8"	1
18	97025	Hydraulic hose 1000x3/8"	1
19	50044037	Hydraulic tube	2
20	97756	Pipe clamp set	10
21	97213	Usit 1/2"	2
22	97203	Double nipple 3/8" x 1/2"	2
23	50048755	Hydraulic hose 2500x3/8"	2
24	97661	Cover red	1
25	97660	Cover black	1
26	97209	Quick coupler male 1/2"	2
27	50047454	Hydraulic pipe	2
28	50043904	Direct connection	2
29	96077	Spring pin 8x40	2
30	50038365	Pin 25	2

### 1.13 Drive wheel fastener



No.	Part number	Item	Pcs.
1	50038167	Drive wheel fastener	1
2	11039	Shaft of drive pulley	1
3	97312	Hydraulic motor	1
4	96413	Hex screw M12x35	4
5	95056	Bearing 6210-2z	2
6	96046	Retaining ring 50	2
7	97203	Double nipple 3/8" x 1/2"	2
8	97213	Usit 1/2"	2

## 1.14 Debris removal



No.	Part number	Item	Pcs.
1	50044892	Debris separator	1
2	50050068	Debris plate 4m	1
3	50038330	Debris plate 6m and 8m	1
4	50042130	Chain bracket	2
5	50050131	Chain for debris plate 4m	2
6	50042138	Chain for debris plate 6m and 8m	2